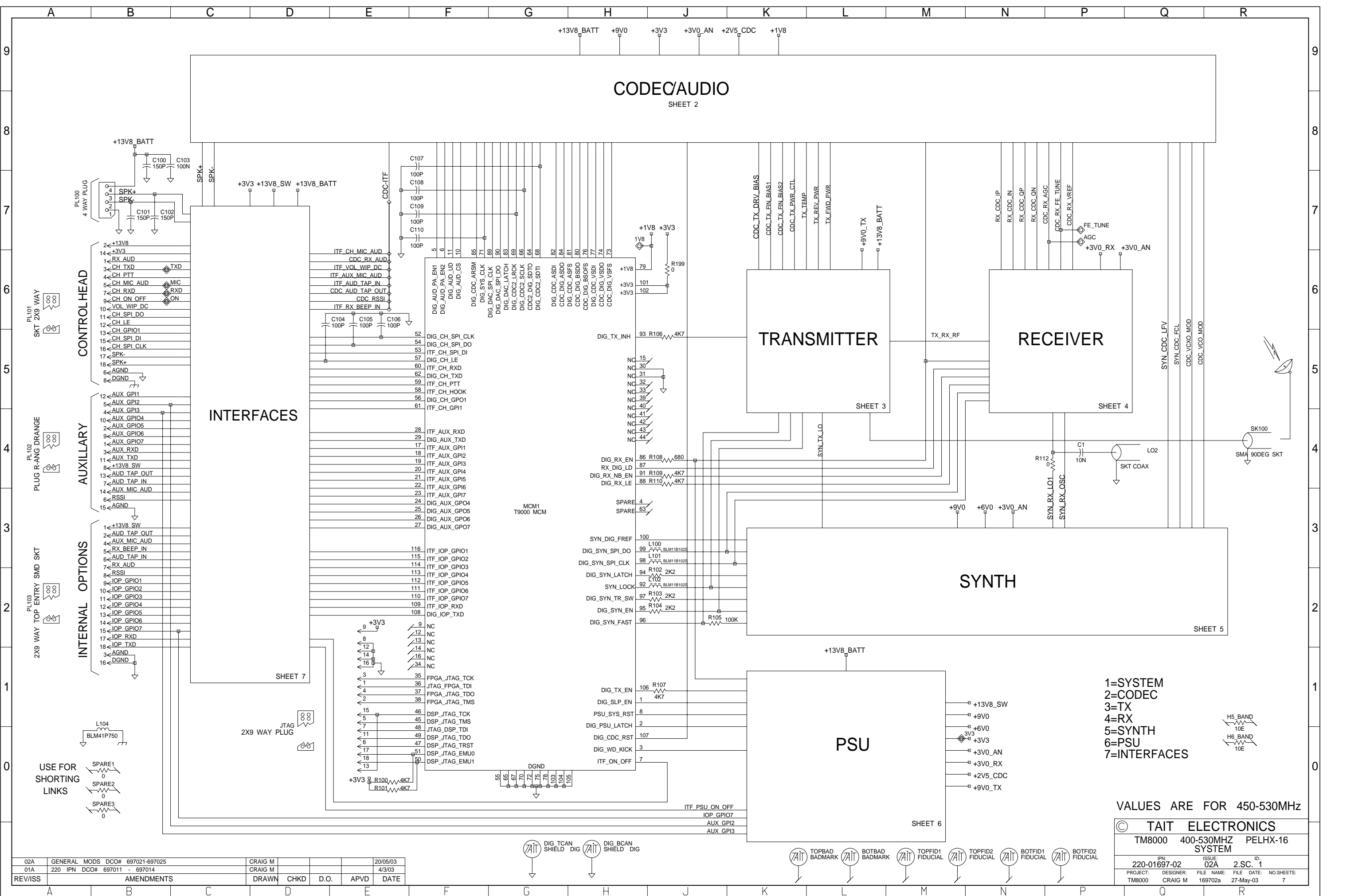


CODEC/AUDIO

SHEET 2

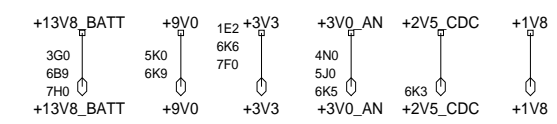
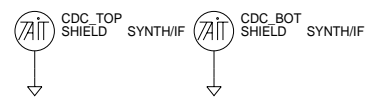
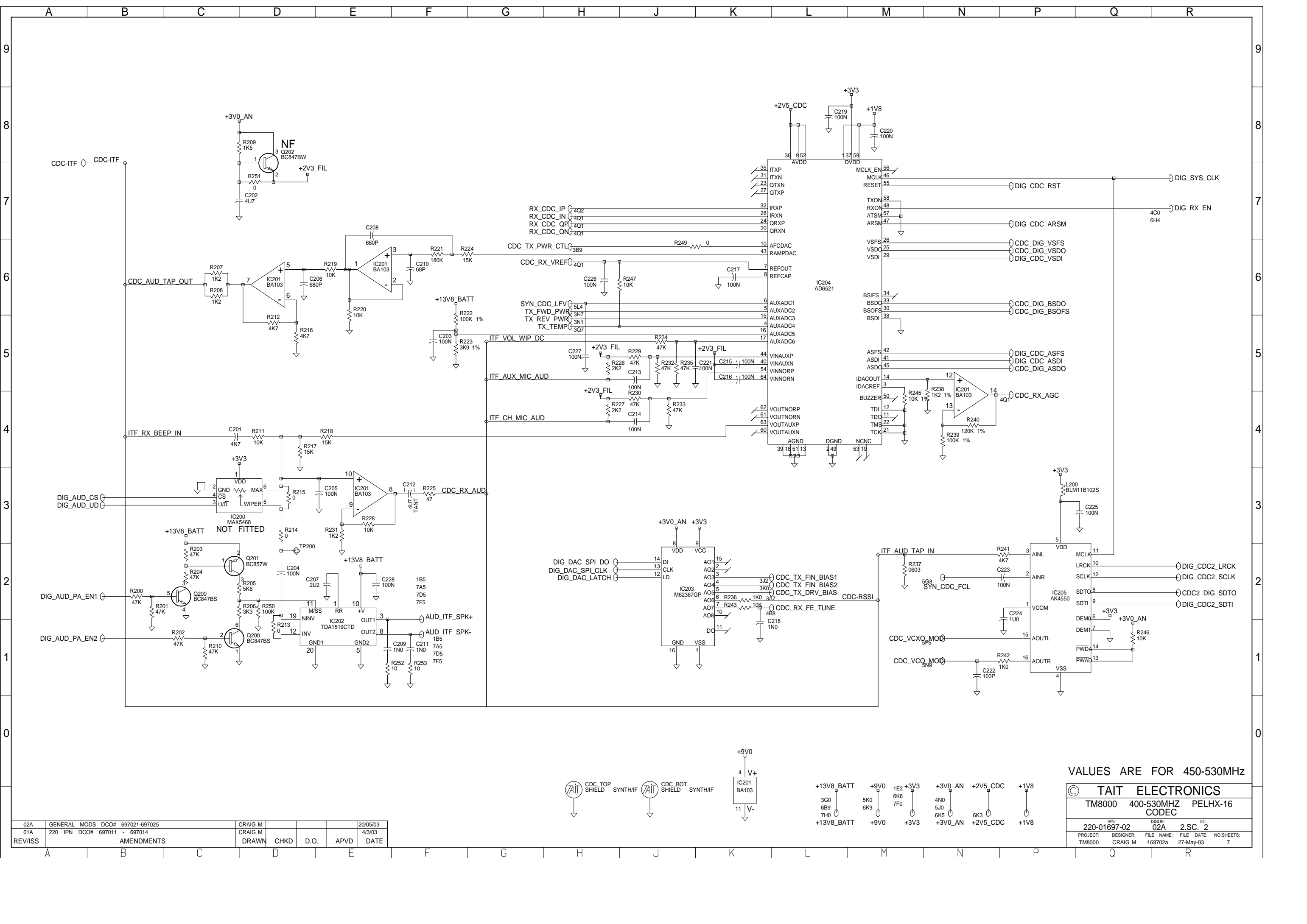


- 1=SYSTEM
- 2=CODEC
- 3=TX
- 4=RX
- 5=SYNTH
- 6=PSU
- 7=INTERFACES

VALUES ARE FOR 450-530MHZ

© TAIT ELECTRONICS			
TM8000	400-530MHZ	PELHX-16	SYSTEM
IPN: 220-01697-02	ISSUE: 02A	FILE DATE: 2.S.C. 1	ID: 7
PROJECT: TM8000	DESIGNER: CRAIG M	FILE NAME: 169702a	NO. SHEETS: 7

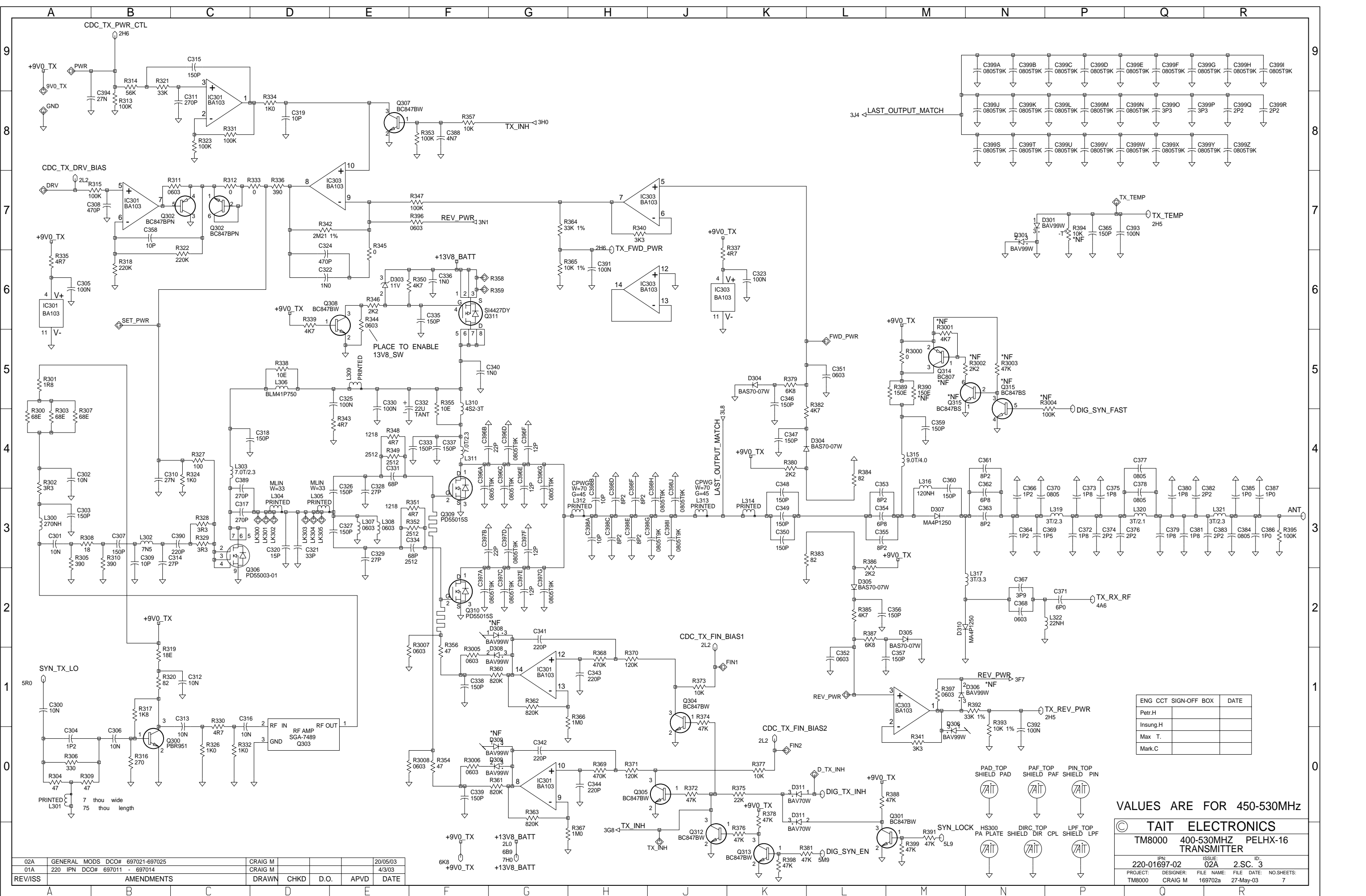
02A	GENERAL MODS	DCO# 697021-697025	CRAIG M		20/05/03		
01A	220 IPN	DCO# 697011 - 697014	CRAIG M		4/3/03		
REV/ISS	AMENDMENTS		DRAWN	CHKD	D.O.	APVD	DATE



VALUES ARE FOR 450-530MHz

© TAIT ELECTRONICS		
TM8000	400-530MHZ	PELHX-16
CODEC		
IPN: 220-01697-02	ISSUE: 02A	ID: 2.SC. 2
PROJECT: TM8000	DESIGNER: CRAIG M	FILE NAME: 169702a
	FILE DATE: 27-May-03	NO.SHEETS: 7

02A	GENERAL MODS	DCO# 697021-697025	CRAIG M			20/05/03
01A	220 IPN	DCO# 697011 - 697014	CRAIG M			4/3/03
REV/ISS	AMENDMENTS		DRAWN	CHKD	D.O.	APVD DATE



ENG	CCT	SIGN-OFF	BOX	DATE
Petr.H				
Insung.H				
Max T.				
Mark.C				

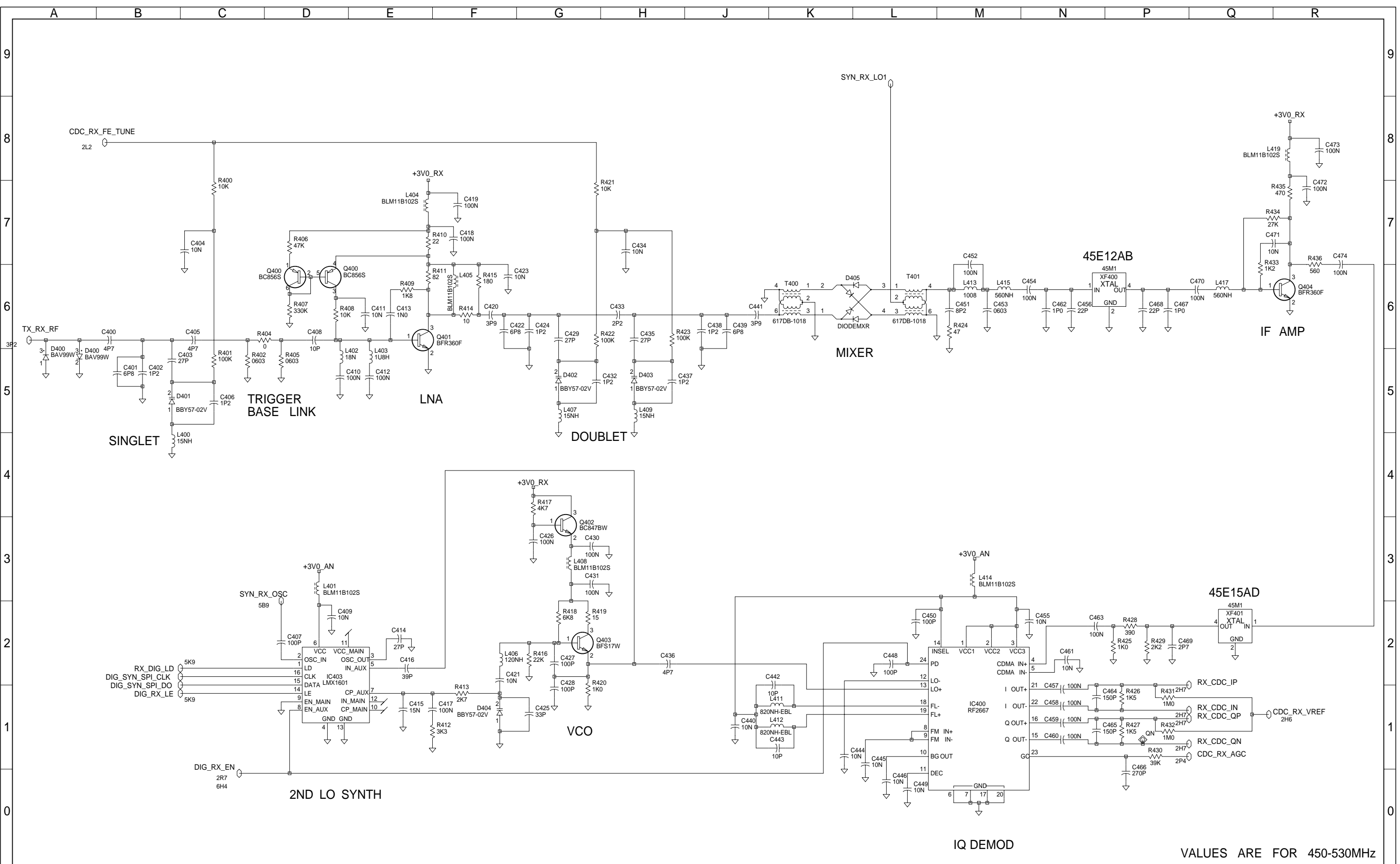
VALUES ARE FOR 450-530MHz

© TAIT ELECTRONICS
 TM8000 400-530MHZ PELHX-16 TRANSMITTER

IPN: 220-01697-02 ISSUE: 02A 2.SC. 3

PROJECT: TM8000 DESIGNER: CRAIG M FILE NAME: 169702a FILE DATE: 27-May-03 NO.SHEETS: 7

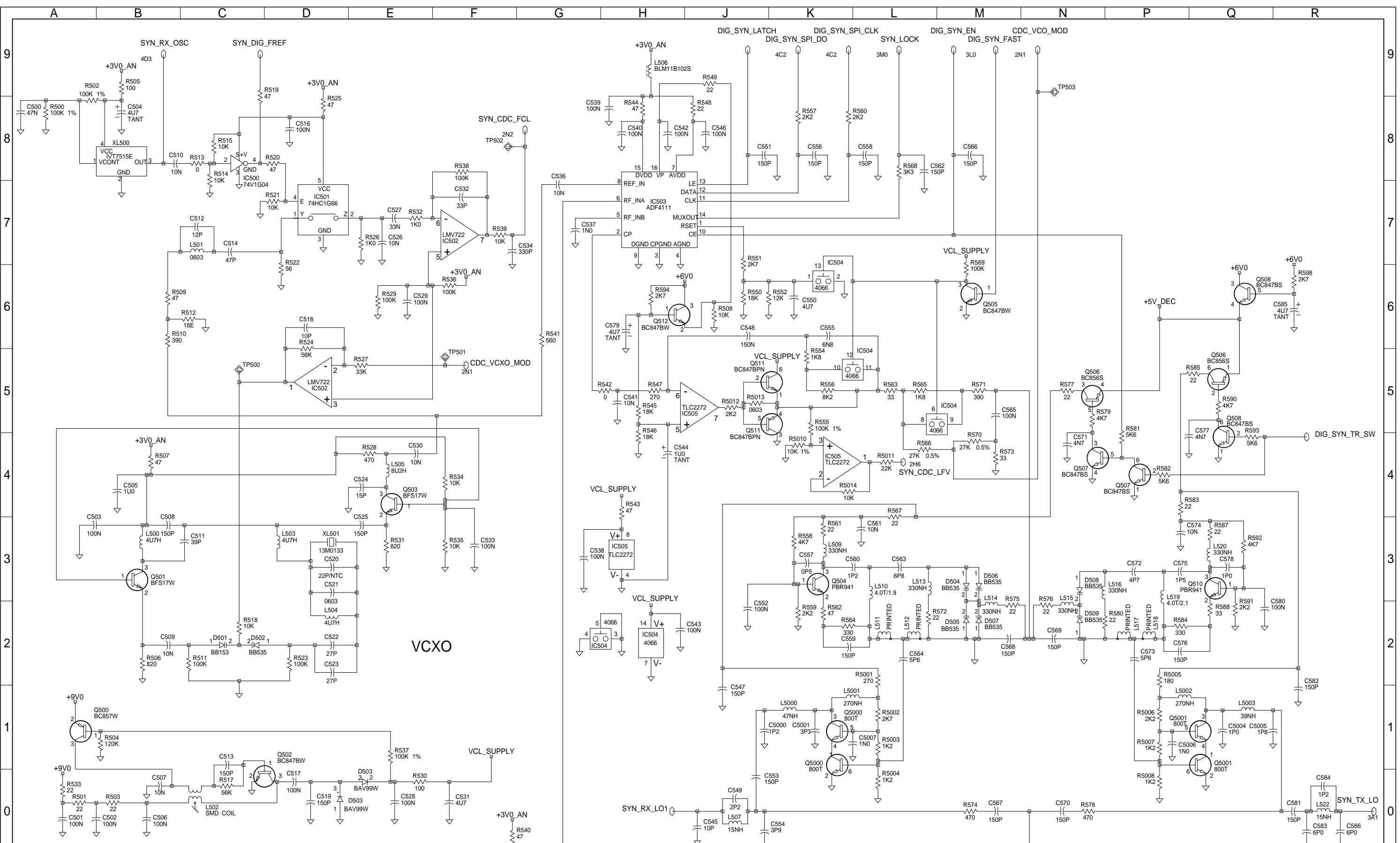
REV/ISS	GENERAL MODS	DCO#	697021-697025	CRAIG M	20/05/03	
02A	GENERAL MODS	DCO#	697021-697025	CRAIG M	20/05/03	
01A	220	IPN	697011 - 697014	CRAIG M	4/3/03	
REV/ISS	AMENDMENTS	DRAWN	CHKD	D.O.	APVD	DATE



VALUES ARE FOR 450-530MHz

© TAIT ELECTRONICS			
TM8000 400-530MHZ PELHX-16 RECEIVER			
IPN: 220-01697-02	ISSUE: 02A	2.SC. 4	ID:
PROJECT: TM8000	DESIGNER: CRAIG M	FILE NAME: 169702a	FILE DATE: 27-May-03
			NO.SHEETS: 7

02A	GENERAL MODS	DCO# 697021-697025	CRAIG M			20/05/03	
01A	220 IPN	DCO# 697011 - 697014	CRAIG M			4/3/03	
REV/ISS	AMENDMENTS		DRAWN	CHKD	D.O.	APVD	DATE

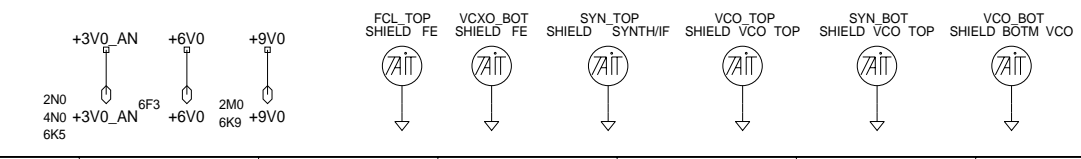


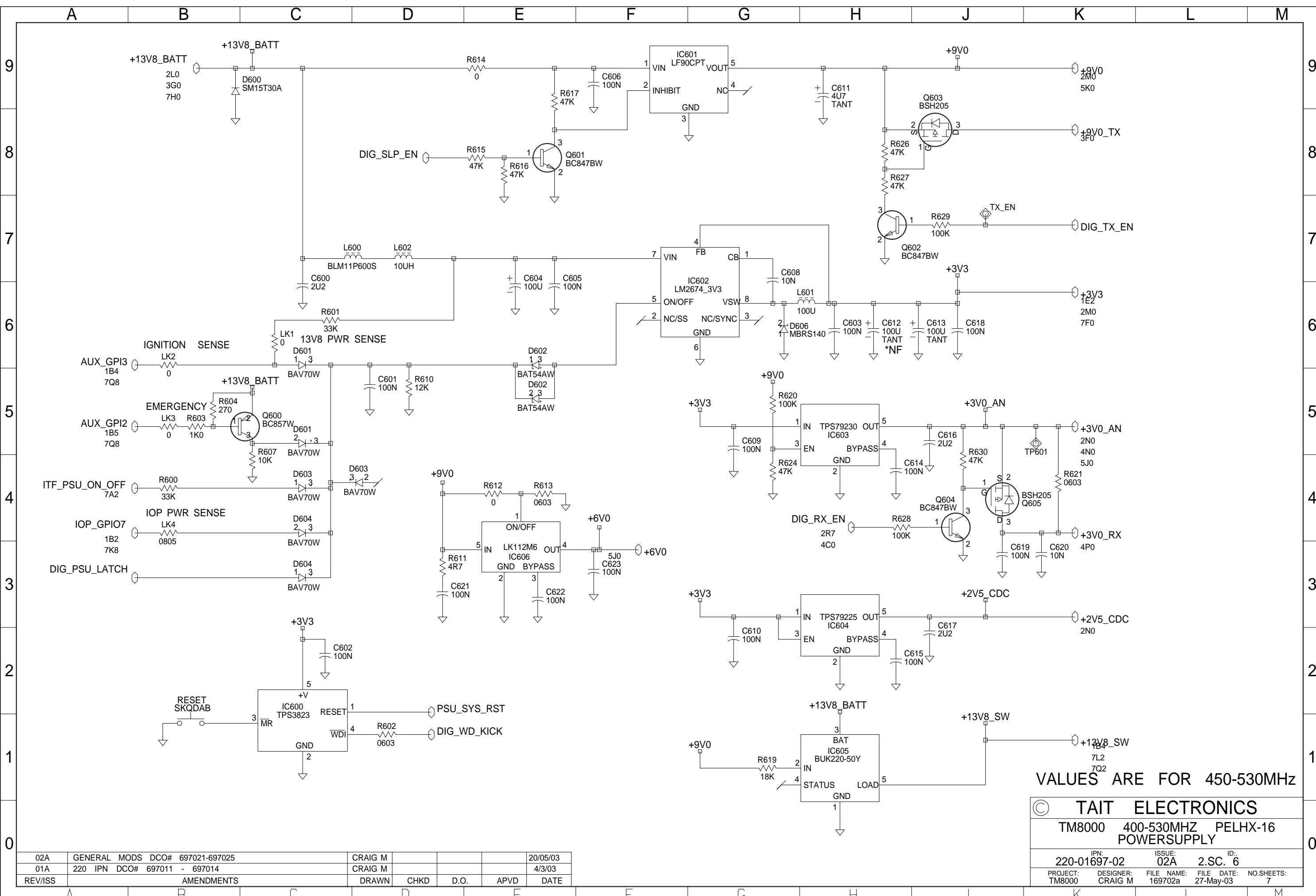
VALUES ARE FOR 450-530MHZ

© TAIT ELECTRONICS
 TM8000 400-530MHZ PELHX-16
 SYNTH & VCOS

IPN: 220-01697-02	ISSUE: 02A	ID: 2.S.C. 5
PROJECT: TM8000	DESIGNER: CRAIG M	FILE NAME: 169702a
FILE DATE: 27-May-03	NO. SHEETS: 7	

02A	GENERAL MODS DCO# 697021-697025	CRAIG M			20/05/03
01A	220 IPN DCO# 697011 - 697014	CRAIG M			4/3/03
REV/ISS	AMENDMENTS	DRAWN	CHKD	D.O.	APVD DATE



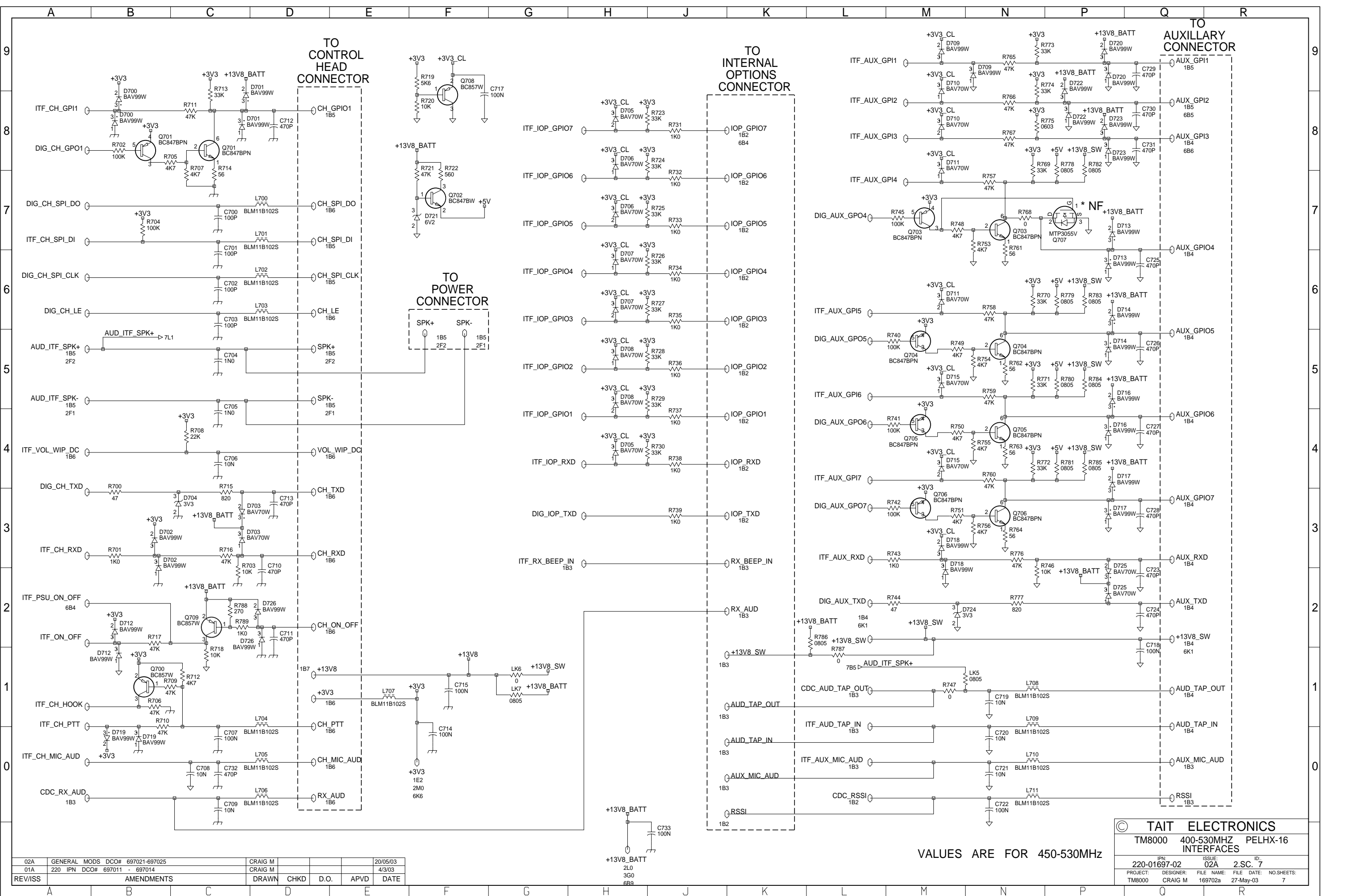


VALUES ARE FOR 450-530MHZ

© TAIT ELECTRONICS
 TM8000 400-530MHZ PELHX-16
 POWERSUPPLY

IPN:	ISSUE:	ID:
220-01697-02	02A	2.SC. 6
PROJECT:	DESIGNER:	FILE NAME:
TM8000	CRAIG M	169702a
FILE DATE:	NO.SHEETS:	
27-May-03	7	

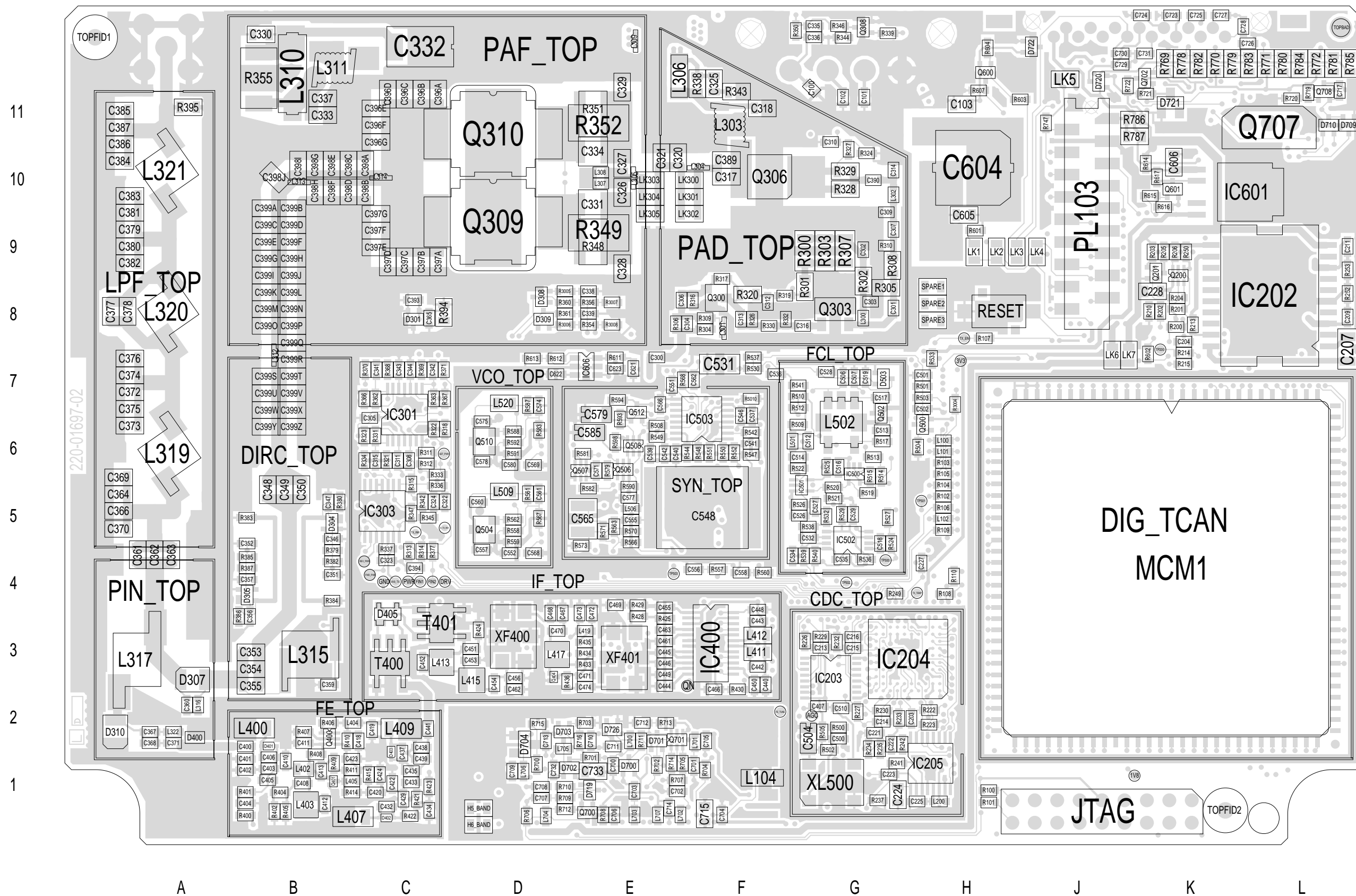
02A	GENERAL MODS	DCO# 697021-697025	CRAIG M			20/05/03
01A	220 IPN	DCO# 697011 - 697014	CRAIG M			4/3/03
REV/ISS	AMENDMENTS		DRAWN	CHKD	D.O.	APVD
						DATE



02A	GENERAL MODS	DCO# 697021-697025	CRAIG M			20/05/03
01A	IPN	DCO# 697011 - 697014	CRAIG M			4/3/03
REV/ISS	AMENDMENTS		DRAWN	CHKD	D.O.	APVD
						DATE

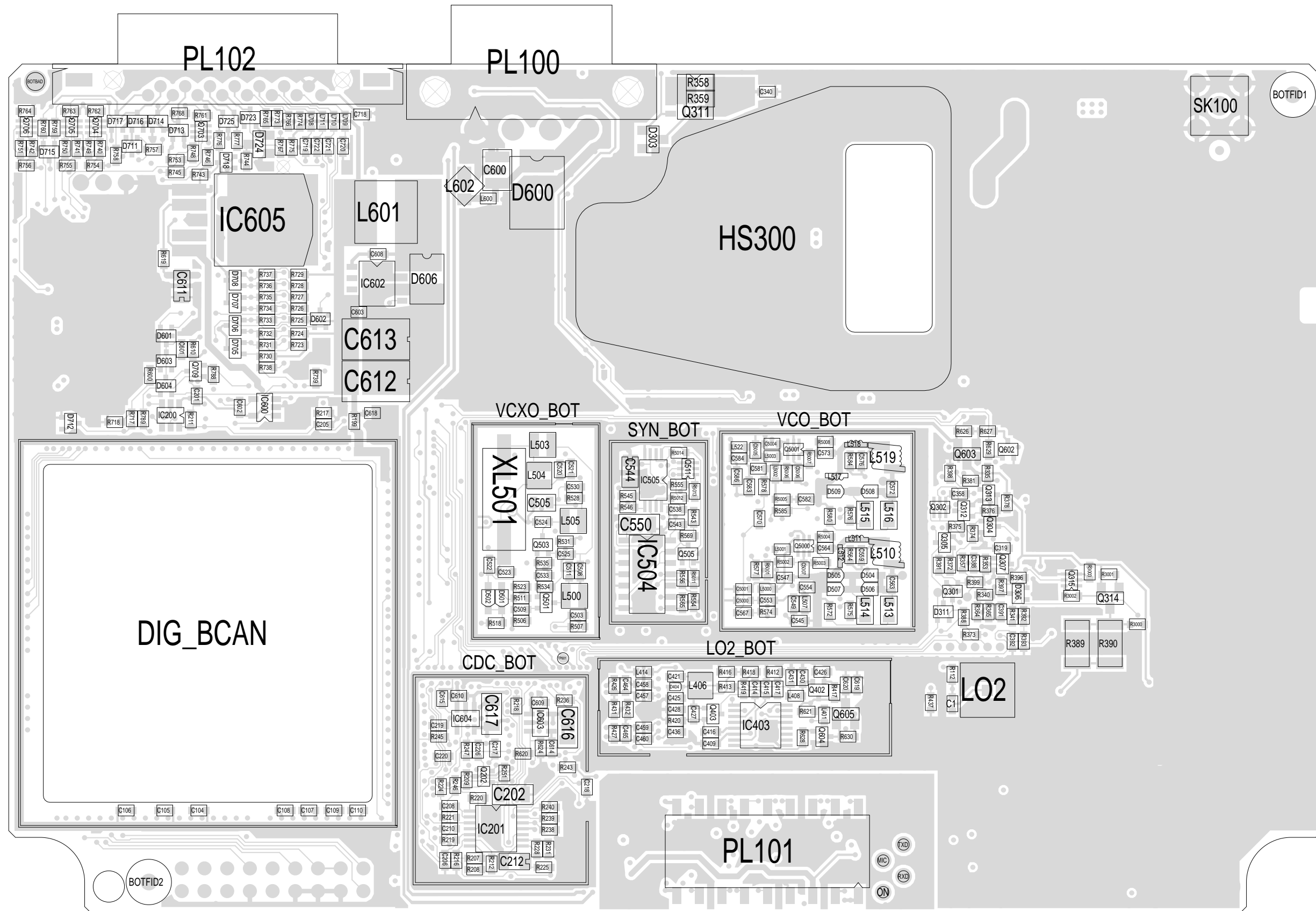
VALUES ARE FOR 450-530MHZ

© TAIT ELECTRONICS
 TM8000 400-530MHZ PELHX-16 INTERFACES
 IPN: 220-01697-02 ISSUE: 02A 2.SC. 7
 PROJECT: TM8000 DESIGNER: CRAIG M FILE NAME: 169702a FILE DATE: 27-May-03 NO. SHEETS: 7



TAIT ELECTRONICS IPN: 220-01697-02 ISS: A ID: 1.TA DATE: 27 May 2003
 UHF PELHX-16 PCB LAYOUT - TOP SIDE

Scale: 2.2:1 ; Rotation: 0 degrees



L K J H G F E D C B A

11
10
9
8
7
6
5
4
3
2
1

TAIT ELECTRONICS IPN: 220-01697-02 ISS: A ID: 4.BA DATE: 27 May 2003
UHF PELHX-16 PCB LAYOUT - BOTTOM SIDE

Scale: 2.2:1 ; Rotation: 0 degrees